

Diverter Valve | DVB

Discover *Bulkmatology™*
The Art and Science of Bulk
Material Handling

For Pneumatic and Gravity Applications

Application:

- Suitable for powder, granular and pellets
- For distributing or merging of product flow
- For differential pressure up to 60psi (4.0 bar)

Design:

- Sizes from 1 1/2" to 12" (40mm to 300mm)
- Flanges: ANSI 150# or DIN PN10 or JIS 5k/10k
- Operating temperature up to 175°F (80°C)
- 45, 90 and 135° flow direction available
- Material of construction: stainless steel housing and rotor

Features:

- Protected seat rings at each port
- Full round port pass way design
- Heavy duty body design for pressure surges up to 90psi (6.0bar)
- Manual or pneumatic operated
- Heavy duty pneumatic actuator with integrated mechanical stops

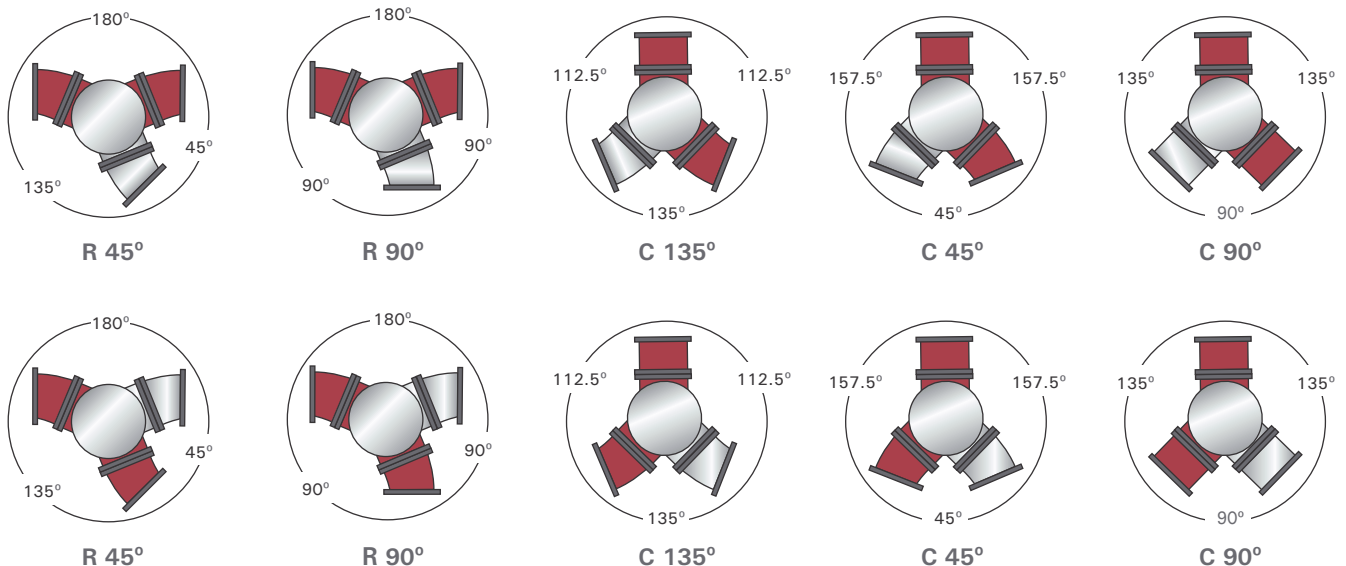
Options:

- High temperature design up to 350°F (180°C)
- Interior polished grades available

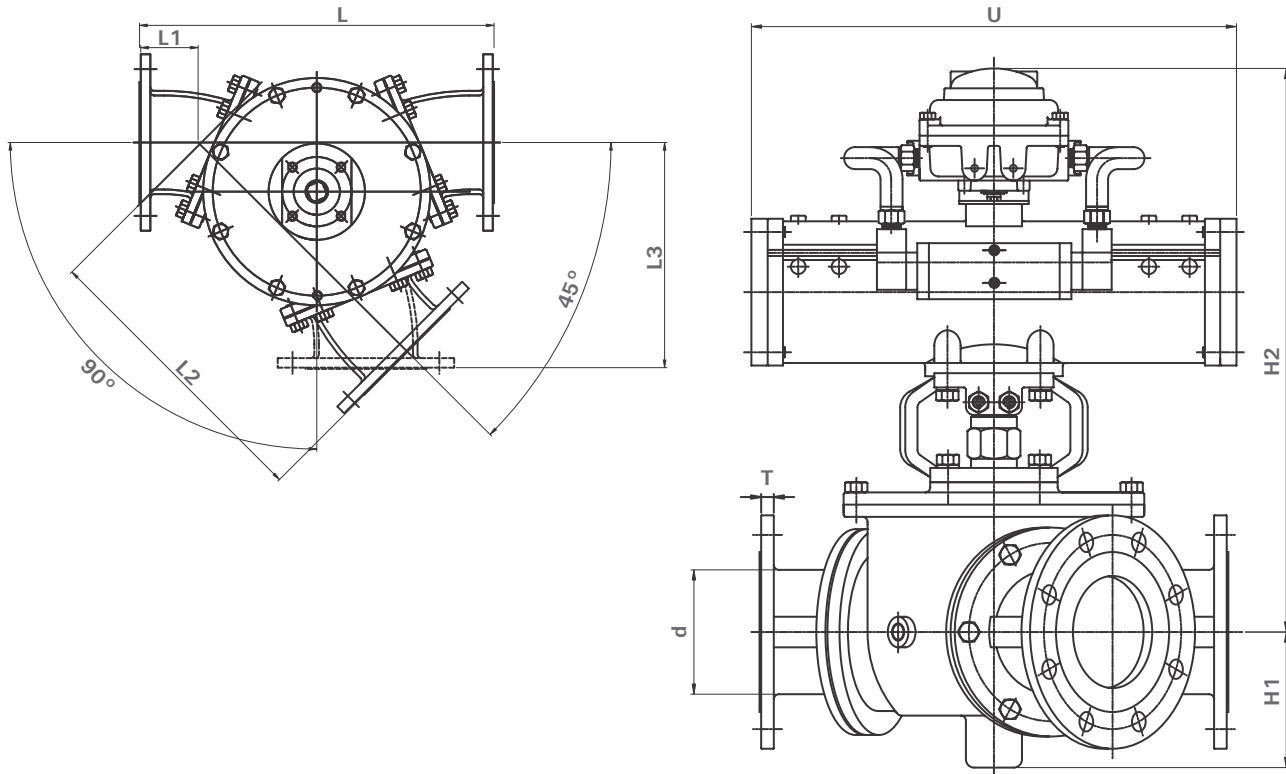


Pelletron DVB Diverter Valve with Stainless Steel Housing

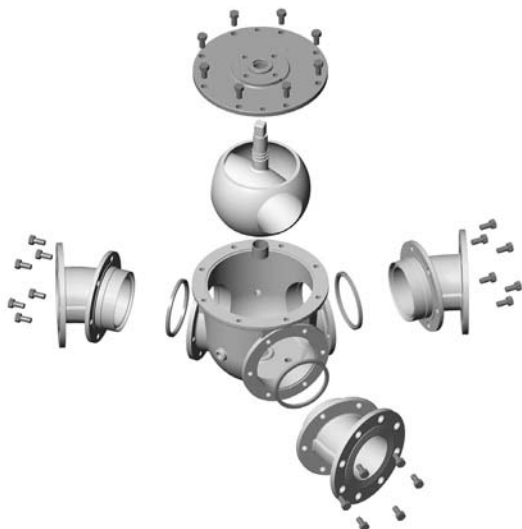
Available Flow Direction | Left and Right Orientation Available



Diverter Valve Dimensions



Size	d	t	H1	H2	U	L	L1	L2	L3	Weight
DB040	1 13/16"	3/8"	2 1/4"	17 1/4"	15 5/8"	9 13/16"	2"	3 13/16"	6 1/8"	66 lbs
	46mm	10mm	57mm	438mm	396mm	250mm	51mm	199mm	156mm	30 kg
DB050	2 1/4"	1/2"	3 3/4"	18 3/8"	15 9/16"	11"	2 1/4"	8 13/16"	6 7/8"	84 lbs
	57mm	12mm	96mm	467mm	396mm	280mm	56mm	224mm	175mm	38 kg
DB065	1 13/16"	1/2"	3 3/4"	17 3/4"	15 9/16"	12 9/16"	2 1/4"	10 3/8"	8"	92 lbs
	72mm	12mm	96mm	452mm	396mm	320mm	56mm	264mm	203mm	42 kg
DB080	3 5/16"	1/2"	4 5/8"	20 7/8"	18 3/4"	14 3/16"	2 1/16"	12 1/16"	9 3/16"	132 lbs
	85mm	12mm	117mm	531mm	476mm	360mm	53mm	307mm	233mm	60 kg
DB100	4 5/16"	9/16"	5 1/4"	21 3/4"	18 3/4"	18 1/8"	3"	15 1/8"	11 9/16"	180 lbs
	110mm	14mm	133mm	553mm	476mm	460mm	76mm	384mm	294mm	82 kg
DB125	5 1/4"	9/16"	5 3/4"	24 1/8"	24 3/16"	22 1/16"	3"	19"	14 5/16"	264lbs
	134mm	14mm	147mm	613mm	615mm	560mm	77mm	483mm	364mm	120kg
DB150	6 1/4"	5/8"	7 1/8"	21 1/2"	24 3/16"	26"	3 1/4"	22 1/2"	16 15/16"	396 lbs
	159mm	16mm	182mm	547mm	615mm	660mm	83mm	571mm	430mm	180 kg
DB200	8 1/4"	11/16"	9 3/8"	30 1/8"	30 11/16"	31 1/2"	4 13/16"	26 5/8"	20 1/4"	748 lbs
	210mm	18mm	238mm	766mm	780mm	800mm	123mm	677mm	515mm	340 kg
DB250	10 1/4"	3/4"	9 11/16"	34 3/4"	39 3/16"	40 9/16"	6 1/8"	34 7/16"	26 1/8"	1276 lbs
	260mm	20mm	246mm	883mm	996mm	1030mm	155mm	875mm	664mm	580 kg
DB300	12 3/16"	1"	13 1/2"	43 3/16"	50 5/8"	44 7/8"	6 3/16"	38 11/16"	29 3/16"	2552 lbs
	310mm	25mm	343mm	1098mm	1286mm	1140mm	157mm	983mm	741mm	1160 kg



Pelletron Corporation
 499 Running Pump Road
 Lancaster, PA 17601
 USA

Tel: 717.293.4008
 Fax: 717.293.4011
 info@pelletroncorp.com
 www.pelletroncorp.com

pe:etron